



Ring luminaire equipped with LED technology.

Housing is made of aluminium, powder coated acc. to RAL.

Light distribution via an opal satined cover, optional with a microprismatic diffusor.

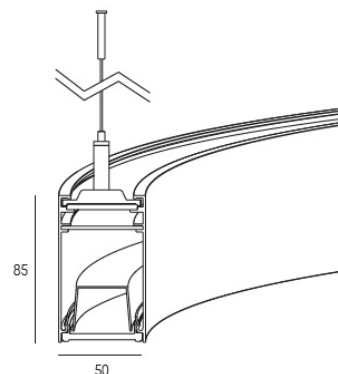
Larger diameters and different lumen variations upon request.

Type	Light System	Dimensions (Ø, w x h)
Loop 614	LED, HE, direkt 2975 lm, indirekt 1295 lm, 38 W	614, 50 x 85 mm
Loop 770	LED, HE, direkt 3965 lm, indirekt 1765 lm, 50 W	770, 50 x 85 mm
Loop 896	LED, HE, direkt 4460 lm, indirekt 2000 lm, 57 W	896, 50 x 85 mm
Loop 1178	LED, HE, direkt 5950 lm, indirekt 2710 lm, 77 W	1178, 50 x 85 mm
Loop 1500	LED, HE, direkt 7930 lm, indirekt 3650 lm, 102 W	1500, 50 x 85 mm
Loop 1742	LED, HE, direkt 8925 lm, indirekt 4120 lm, 115 W	1742, 50 x 85 mm
Loop 2306	LED, HE, direkt 11900 lm, indirekt 5475 lm, 153 W	2306, 50 x 85 mm
Loop 3000	LED, HE, direkt 15620 lm, indirekt 7240 lm, 202 W	3000, 50 x 85 mm

Technical details:

Voltage: 220-240 V / 50-60 Hz
 Protection class: 1
 Protection kind: IP 20
 Driver: switchable
 Cover: opal
 Colour: acc. RAL
 Light colour: 4.000K
 Colour rendering: RA>80

Dimension drawing:



Options:

light colour 3.000K
 DALI dimmable
 microprismatic diffusor
 central ceiling canopy (possible up to Ø 1742 mm)
 only direct light
 variation surface installation (on request)