

Product image



Image 1 Railing for walkable ceiling systems

Fields of application

- Pharmaceutical production, medical engineering
- Microelectronics and semiconductor industries
- Microsystems technologies, precision engineering
- Surface treatment technologies



Walkable ceiling system

Applied standards

Lindner railings for walkable ceiling systems comply with the requirements of DIN EN 1990 (basics of structural design), DIN EN 1991 (horizontal load assumptions), DIN EN 1993 (steel construction), DIN EN 1999 (Aluminium construction), DIN 18065 (building staircases) and execution class EXC2 of EN 1090 (steel construction).

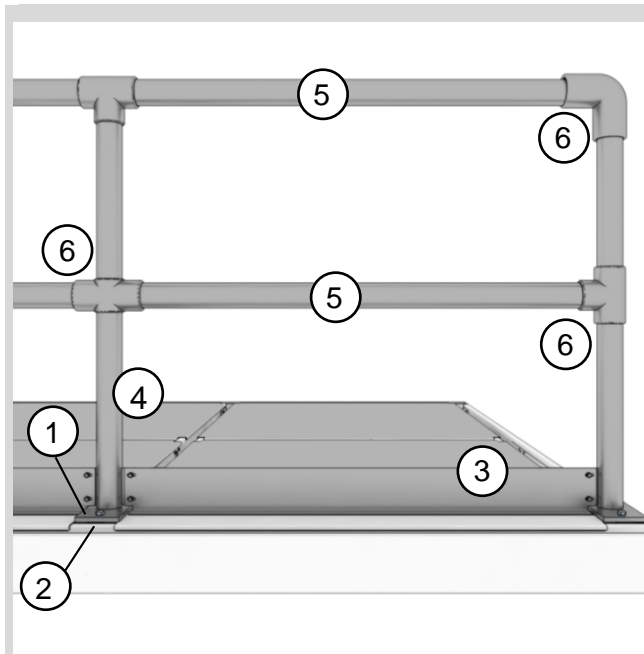
Product description

Railing for walkable clean room ceilings for fall protection at free ends of ceilings or at the transition from walk-on areas to areas that cannot be walked on. Fixing of the guard-railing posts by means of a statically tested substructure to the grid of the ceiling system.

Technical data

	Ø 60 mm
Maximum distance between posts	1200 mm
Handrail top edge height	1100mm
Available for ceiling systems	Line 100S Typ2 Line 80S Typ2
Post design	Steel tube Ø 60 mm
Maximum line load (horizontal)	+/- 0,50 kN / m
Maximum point load	+/- 0,75 kN per field

Substructure



Components:

- 1 = Head plate of railing posts
- 2 = Counter-tension profile
- 3 = Baseboard
- 4 = Railing post
- 5 = Handrail / knee rail
- 6 = Connector part (cross / T-connector / elbow piece)

Image 2 Single parts of fall protection device

Head plate ①

Welded head plate according to static requirements, with supports for baseboards and railing posts.

Counter-tension profile ②

Solid, galvanized steel parts. They are screwed to the base plate from below, thus providing the necessary stability of the railing on the ceiling.

Baseboard ③

Galvanized sheet steel to prevent small parts from falling off the ceiling, optionally powder-coated.

Railing post

④

Welded steel tube Ø 60mm, galvanized, optionally powder coated. Execution according to static requirements, max. post distance 1200mm

Welded steel tube Ø 40mm, galvanized, optionally powder coated. Execution according to static requirements, maximum post distance 725mm

Hand rail / knee rail

⑤

Aluminium tube Ø 60/40mm, optionally powder coated.

Connector parts

⑥

Cross connector / T-connector / elbow joint.

Die-cast Aluminium parts, optionally powder-coated.

Installation and use

Installation and use must be carried out in accordance with the manufacturer's guidelines and the user guidelines for walkable ceiling systems.

This data sheet refers to the standard design of the handrails. Project-specific remarks and adaptations are to be taken additionally from the offer documents.