



Round downlight for integration into plasterboard ceilings, equipped with LED technology.

Housing is made of aluminium, colour acc. to RAL 9016.

Light is distributed via reflector and an opal cover.

Ceiling cut-out: Ø 175 mm

Integration depth: min. 95 mm

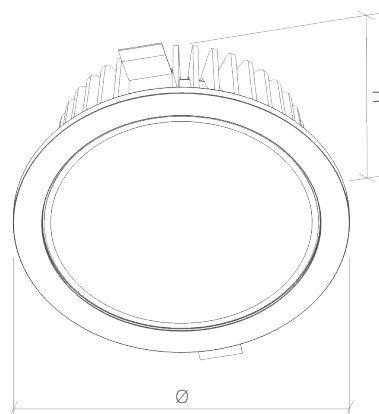
Delivery incl. external ballast.

Type	Lumen Output	System Power	Dimension (Ø x h)
RS 190.2 1.5	1.500 Lumen	11 Watt	190 x 80 mm
RS 190.2 2.0	2.400 Lumen	17 Watt	190 x 80 mm

## Technical Data:

Voltage:	220-240 V / 50-60 Hz
Protection class:	1
Protection type:	IP20
Ballast:	switchable
Cover:	opal acrylic
Colour:	RAL 9016
Light colour:	4.000K
Colour Rendering:	RA>80

## Dimension Drawing:



## Options:

- Ballast DALI dimmable
- Light colour 3.000K
- Housing acc. to RAL card
- Housing diameter 160 mm  
(type 'RS 160', cut-out Ø 147 mm)