



Plafotherm® L 609

Heated and Chilled Metal Baffle Ceiling, Hook-On/Slide baffle, one-piece

Product description

This linear baffle ceiling is especially suitable for areas with increased maintenance demands. Thanks to movable baffles, you can comfortably reach the ceiling void. The open construction guarantees high cooling capacities and variable design options. Create unique appearances in your well-tempered rooms by means of freely selectable centre distances and baffle sizes. The ceiling void between the baffles can be used for installations. The metal baffles can quickly be installed – a combination with passive baffles is also possible.

- heating/cooling by means of convection and radiation creates a pleasant room climate
- flexibility thanks to the combination of thermally active and passive baffles
- high cooling capacity due to the open construction
- freely selectable centre distances and baffle dimensions
- independent installation of luminaires and fixtures possible between baffles
- visible ceiling void
- easy and quick installation
- easy maintenance option due to baffles that can be individually slid without tools




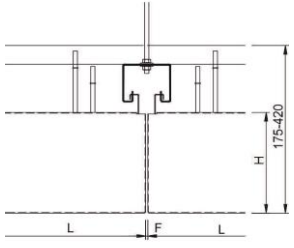
Project solutions

This product data sheet refers to the standard version of the product mentioned above.

We would be happy to work with you to find the right solution for your project. Adapted to your building project, you will receive a perfectly matched system. Project-specific constructions and adaptations can be found in the offer documents.



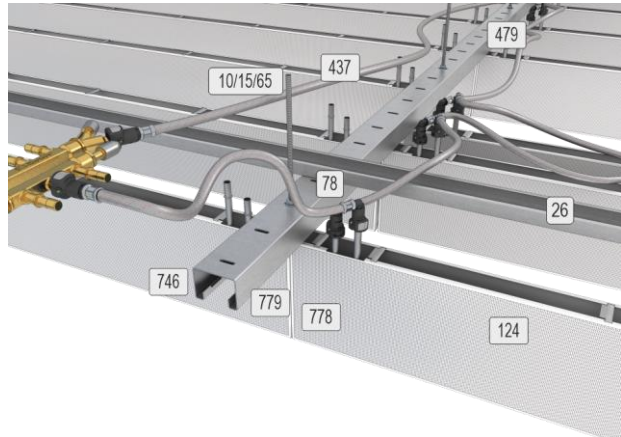
Ceiling elements

Plafotherm® L 609 type 1		 
one-piece		
Length (L)	1,000 - 3,000 mm	
Width (B)	45, 50, 55 mm	
Height (H)	125 - 245 mm	
Joint width (F)	3 mm	

Technical data

Material baffle	galvanised sheet steel
Weight	approx. 4 - 5 kg/m (depending on height of baffle, without fixtures/installations)
Serviceability	slide option or removable without tools

Component list

10/15/65	threaded rod suspension	
26	suspension channel 60	
78	self-drilling screw hexagon head	
124	metal baffle	
437	heating and cooling coil	
479	PlafoTube® connecting/connection hose	
746	double hook-on profile 54/L	
778	self-tapping screw with countersunk head	
779	disc magnet	

Acoustics

Room acoustics | Construction height 200 mm

Rated sound absorption coefficient	DIN EN ISO 11654	α_w	0.40 (MH) - 0.60 (MH)
Sound absorption class	DIN EN ISO 11654		D - C
Noise Reduction Coefficient	ASTM C 423	NRC	0.45 - 0.65

Fire protection

Building material class

Building material class	DIN EN 13501-1	A2 - s1, d0
Building material class	ASTM E 84	Class A



Durability

Exposure class	DIN EN 13964	A
----------------	--------------	---

HVAC

Heating and cooling

Heating and cooling technology	Plafotherm® V2A	Plafotherm® Cu	Plafotherm® Cu
Construction height	220 mm	165 mm	220 mm
Nominal cooling capacity (10 K) according to EN 14240 in relation to meter of baffle	19.1 W/m	13.8 W/m	21.1 W/m
Nominal heating capacity (15 K) according to EN 14037:2003 in relation to meter of baffle	18.1 W/m	14.1 W/m	21.7 W/m

Sustainability

Product self-declaration	Self-declaration according to ISO 14021
Environmental product declaration	EPD according to EN 15804 / ISO 14025
Circular Economy	Cradle to Cradle Certified® Silver
French VOC Regulation	Emission class A+

Surfaces

Powder coatings	<u>COLOURline – Powder coating</u> <u>ARTline – Decorative powder coating</u>
Perforations	<u>BASICline – Standard perforations</u> <u>REGULARline – Further perforations</u>

Certification

CE marking	The ceiling system is a harmonised construction product acc. to regulation (EU) No. 305/2011 (Construction Products Regulation) and EN 13964: Suspended ceilings – Requirements and test methods.
TAIM e. V.	The ceiling system fulfils the requirements of the "Technical Manual Metal Ceilings" (TMMC) of TAIM e. V. (Association of Industrial Metal Ceiling Manufacturers).

Additional equipment

Acoustic inlays	<u>Acustica – Acoustic fabric inlay</u> <u>Insula – Mineral wool inlay in acoustic foil</u>
Hydraulic components	<u>PlafoTube® MQC – Connecting/Connection hose with MultiQuickConnect</u> <u>Fittings – Distribution system</u>