



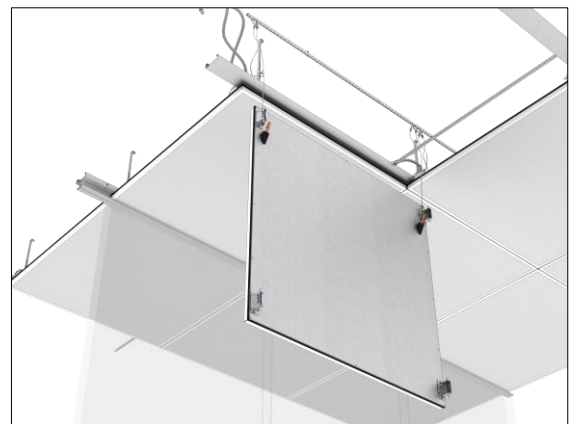
Plafotherm® B 147 SD

Heated and Chilled Post Cap Ceiling concealed, longitudinally sound-reduced

Product description

The longitudinally sound-reduced system guarantees best climate in your rooms – furthermore, luminaires can easily be integrated - no additional ceiling bulkheads are required. Concealed post cap profiles offer you the possibility to reversibly fasten partitions and create a homogeneous ceiling appearance. Thus, you are flexible in your room layout. The ceiling elements of Plafotherm® B 147 SD have an easy maintenance option.

- no additional ceiling bulkheads required
- post cap ceiling with tested longitudinal sound reduction inclusive integrated luminaire
- heating/cooling by means of radiation creates a pleasant room climate
- flexibility thanks to the combination of thermally active and passive areas
- homogeneous ceiling surface due to concealed post caps
- easy maintenance option of ceiling elements
- individual room layout thanks to the possibility to fasten partitions to post caps
- hygienic and easy to clean


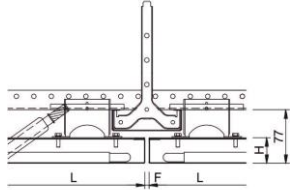


Project solutions

This product data sheet refers to the standard version of the product mentioned above. We would be happy to work with you to find the right solution for your project. Adapted to your building project, you will receive a perfectly matched system. Project-specific constructions and adaptations can be found in the offer documents.



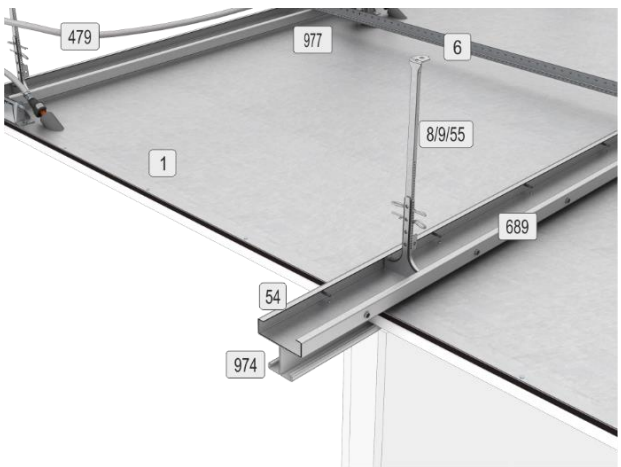
Ceiling elements

Plafotherm® B 147 SD type 1			
Lay-In with Locking Technology			
Length (L)	500 - 2,000 mm		
Width (B)	200 - 900 mm		
Height (H)	37.5 mm		
Joint width (F)	6 mm		

Technical data

Material ceiling panel	galvanised sheet steel
Weight	approx. 20 - 25 kg/m ² (without fixtures/installations)
Serviceability	removable
Wall connection options	wall connection profile, shadow gap

Component list

1	metal ceiling panel	
6	L-profile 28	
8/9/55	vernier suspension	
54	C-post cap profile	
479	PlafoTube® connecting/connection hose	
689	hollow chamber sealing	
974	partition connection profile	
977	drilling screw hexagon head	

Acoustics

Room acoustics

Rated sound absorption coefficient	DIN EN ISO 11654	α_w	0,55 (MH) - 0.70
Sound absorption class	DIN EN ISO 11654		D - C
Noise Reduction Coefficient	ASTM C 423	NRC	0,60 - 0.75

Building Acoustics

Rated normalised flanking level difference	ISO 10848-2	$D_{n,f,w}$	48 - 60 db
--	-------------	-------------	------------



Durability

Exposure class	DIN EN 13964	A
----------------	--------------	---

HVAC

Heating and cooling

Heating and cooling technology	Plafotherm® Cu
Nominal cooling capacity (10 K) according to EN 14240 in relation to the active area	104 W/m ²
Nominal heating capacity (15 K) according to EN 14037:2003 in relation to the active area	116 W/m ²

Sustainability

Product self-declaration	Self-declaration according to ISO 14021 possible
French VOC Regulation	Emission class A+

Surfaces

Powder coatings	<u>COLOURline – Powder coating</u> <u>MOODline – Powder coating, deep matt</u> <u>ARTline – Decorative powder coating</u> <u>GRAPHICline – Digital print</u>
Perforations	<u>BASICline – Standard perforations</u> <u>REGULARline – Further perforations</u>

Certification

CE marking	The ceiling system is a harmonised construction product acc. to regulation (EU) No. 305/2011 (Construction Products Regulation) and EN 13964: Suspended ceilings – Requirements and test methods.
TAIM e. V.	The ceiling system fulfils the requirements of the "Technical Manual Metal Ceilings" (TMMC) of TAIM e. V. (Association of Industrial Metal Ceiling Manufacturers).

Additional equipment

Hydraulic components	<u>PlafoTube® MQC – Connecting/Connection hose with MultiQuickConnect Fittings – Distribution system</u>
----------------------	--