

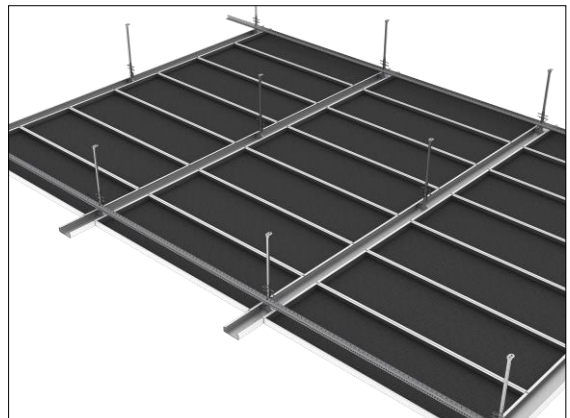
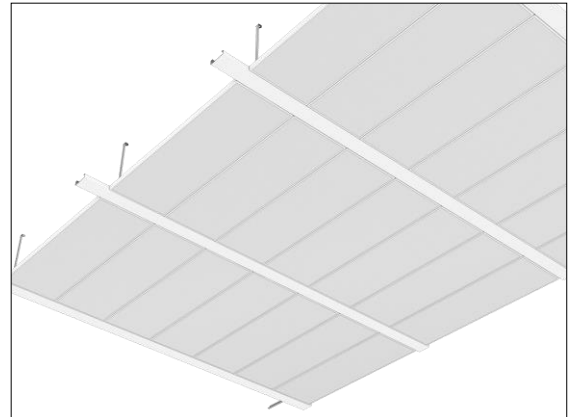


LMD-B 100

Linear post cap ceiling


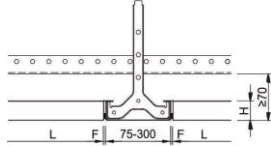

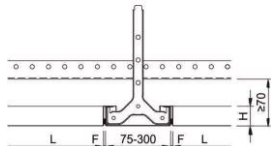
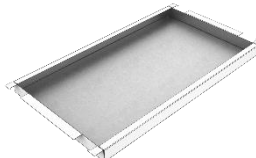
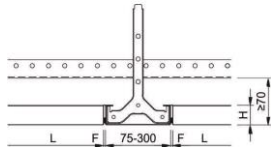

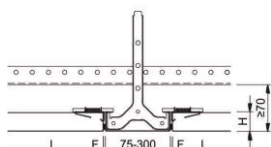
The system LMD-B 100 features visible Post Cap profiles in linear arrangement. If necessary, partitions can be fastened to Post Cap profiles to individually divide your rooms. The striking profiles can be used for technical installations and can easily be adapted to building shapes by means of a radial arrangement. This Post Cap ceiling is a space-saving and cost-effective system. Depending on the need for inspection, Lay-In and Swing-Down type ceiling panels are available and can be combined.

- visible linear Post Caps as design elements
- individual room layout thanks to the possibility to fasten partitions to Post Caps
- Post Caps can be used for technical installations or luminaires
- space-saving ceiling system with low construction height
- round, curved building shapes can be realised thanks to radially installed Post Caps and trapezoidal ceiling panels
- easy maintenance option due to ceiling panels that can be individually operated, swung down and slid
- cost-effective ceiling system as economic solution
- hygienic and easy to clean





Ceiling elements

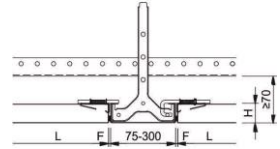
LMD-B 100 Type 1			 
Lay-In			
Length (L)	250 - 3,300 mm		
Width (B)	200 - 1,250 mm		
Height (H)	30, 40, 50 mm		
Joint width (F)	butt joint, 1, 3 or 5 mm		
LMD-B 100 Type 2			 
Lay-In with Hook-On edge			
Length (L)	250 - 3,300 mm		
Width (B)	200 - 1,250 mm		
Height (H)	30, 40, 50 mm		
Joint width (F)	butt joint, 1, 3 or 5 mm		
LMD-B 100 Type 3			 
Lay-In with Hook-On notch			
Length (L)	250 - 3,300 mm		
Width (B)	200 - 1,250 mm		
Height (H)	30, 40, 50 mm		
Joint width (F)	3 mm		
LMD-B 100 Type 4			 
Lay-In, Swing-Down and slide option on longitudinal side			
Length (L)	250 - 2,200 mm	2,201 - 3,000 mm	
Width (B)	200 - 1,250 mm	200 - 625 mm	
Height (H)	30, 50 mm		
Joint width (F)	3 mm		



LMD-B 100 Type 6

Lay-In, Swing-Down and slide option on short side

Length (L)	250 - 2,200 mm	2,201 - 3,000 mm
Width (B)	200 - 1,250 mm	200 - 625 mm
Height (H)	30, 50 mm	
Joint width (F)	3 mm	

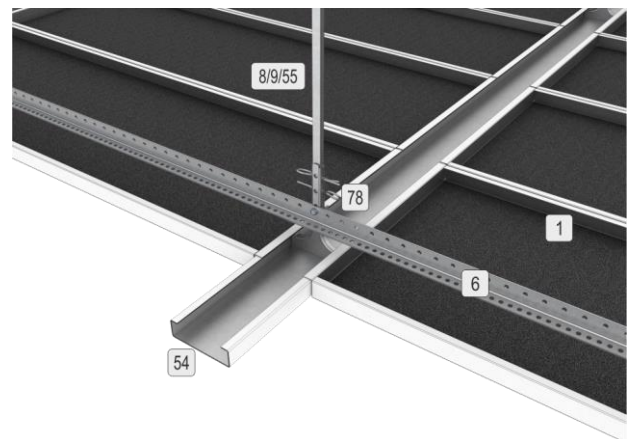


Technical data

Material	galvanised sheet steel
Weight	approx. 8 - 10 kg/m ² (without fixtures/installations)
Serviceability	swing-down and slide option or removable without tools
Wall connection options	L-angle, shadow gap trim, open wall connection

Component list

1	ceiling panel
6	L-profile 28
8/9/55	vernier suspension
54	C-post cap profile
78	self-drilling screw hexagon head with flange



Acoustics

Room acoustics

Rated sound absorption coefficient	DIN EN ISO 11654	α_w	0.15 - 1.00
Sound absorber class	DIN EN ISO 11654		E - A
Noise Reduction Coefficient	ASTM C 423	NRC	0.15 - 0.95



Fire protection

Building material class

Building material class (COLOURline A1)	DIN EN 13501-1	A1
Building material class (COLOURline)	DIN EN 13501-1	A2 - s1, d0
Building material class	ASTM E 84	Class A

Fire stability

Fire stability	NBN 713.020	45 minutes
----------------	-------------	------------

Durability

Exposure class	DIN EN 13964	A
----------------	--------------	---

Sustainability

Product self-declaration	Self-declaration according to ISO 14021
Environmental product declaration	EPD according to EN 15804 / ISO 14025
Circular Economy	Cradle to Cradle Certified® Gold
French VOC Regulation	Emission class A+

Safety protection

Explosion protection	up to 63 kPa blast pressure
----------------------	-----------------------------

Certification

CE marking	The ceiling system is a harmonised construction product acc. to regulation (EU) No. 305/2011 (Construction Products Regulation) and EN 13964: Suspended ceilings - Requirements and test methods.
TAIM e.V.	The ceiling system fulfils the requirements of the "Technical Manual Metal Ceilings" (TMMC) of TAIM e.V. (Association of Industrial Metal Ceiling Manufacturers).

Surfaces

Powder coatings	<u>COLOURline - Powder coating</u> <u>COLOURline A1 - Powder coating non-combustible</u> <u>MOODline - Powder coating, deep matt</u> <u>ARTline - Decorative powder coating</u> <u>GRAPHICline - Digital print</u>
Perforation	<u>BASICline - Standard perforations</u> <u>REGULARline - Further perforations</u> <u>SPREADline - Scattered perforations</u>
Functional coatings	<u>Meteo - Corrosion protection coating</u>



Additional equipment

Acoustic inlays	Acustica - Acoustic fabric inlay Insula - Mineral wool inlay in acoustic foil Calma - Glass yarn inlay in textile cover
Ventilation components	AirBox S - Supply air elements AirBox E - Exhaust air elements AirBeam Basic - Standard Heated/Chilled beam AirBeam Discreet - Discreet Heated/Chilled beam AirBeam Invisible - Invisible Chilled beam
Luminaires	IS 17 - Integrated luminaire for general areas IS 22 - Integrated luminaire for monitor work stations IS 450 - Integrated luminaire for office and general areas LK 73 - Light channel QZI - Integrated luminaire with cell louvres BREL 100 - Post cap spare light LK 100 - System luminaire DPL - Integrated luminaire for post cap ceilings
Heating and cooling function	System with integrated heating and cooling technology is available: Plafotherm® B 100
Longitudinal sound reduction	System with tested longitudinal sound reduction is available: LMD-B 100 SD



Application examples



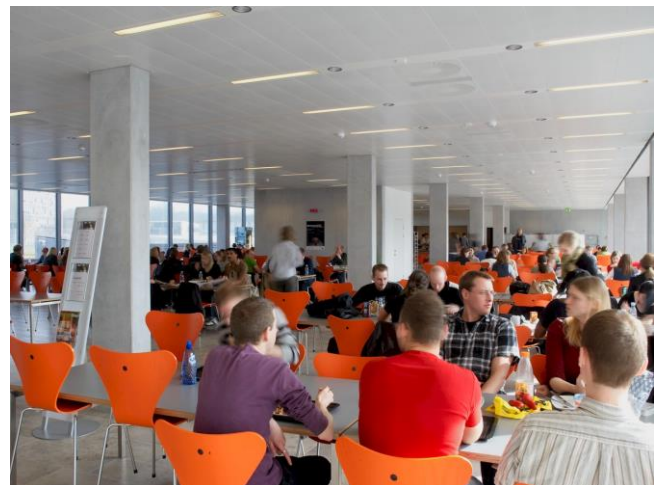
© Neil Kenyon



© Eric Sierins Photography



© Mark Bentley Photography



© Søren Weile, Kopenhagen

Project solutions

This product data sheet refers to the standard version of the product mentioned above. We would be happy to work with you to find the right solution for your project. Adapted to your building project, you will receive a perfectly matched system. Project-specific constructions and adaptations can be found in the offer documents